

HAFLINGER

**EUROPA 2018
CHAMPIONAT**



23.-25. AUGUST 2018

STADL PAURA

PATTERNBOOK
Haflinger Europa Championat 2018

Stand 24.01.2018

PATTERN Haflinger Europa Championat 2018

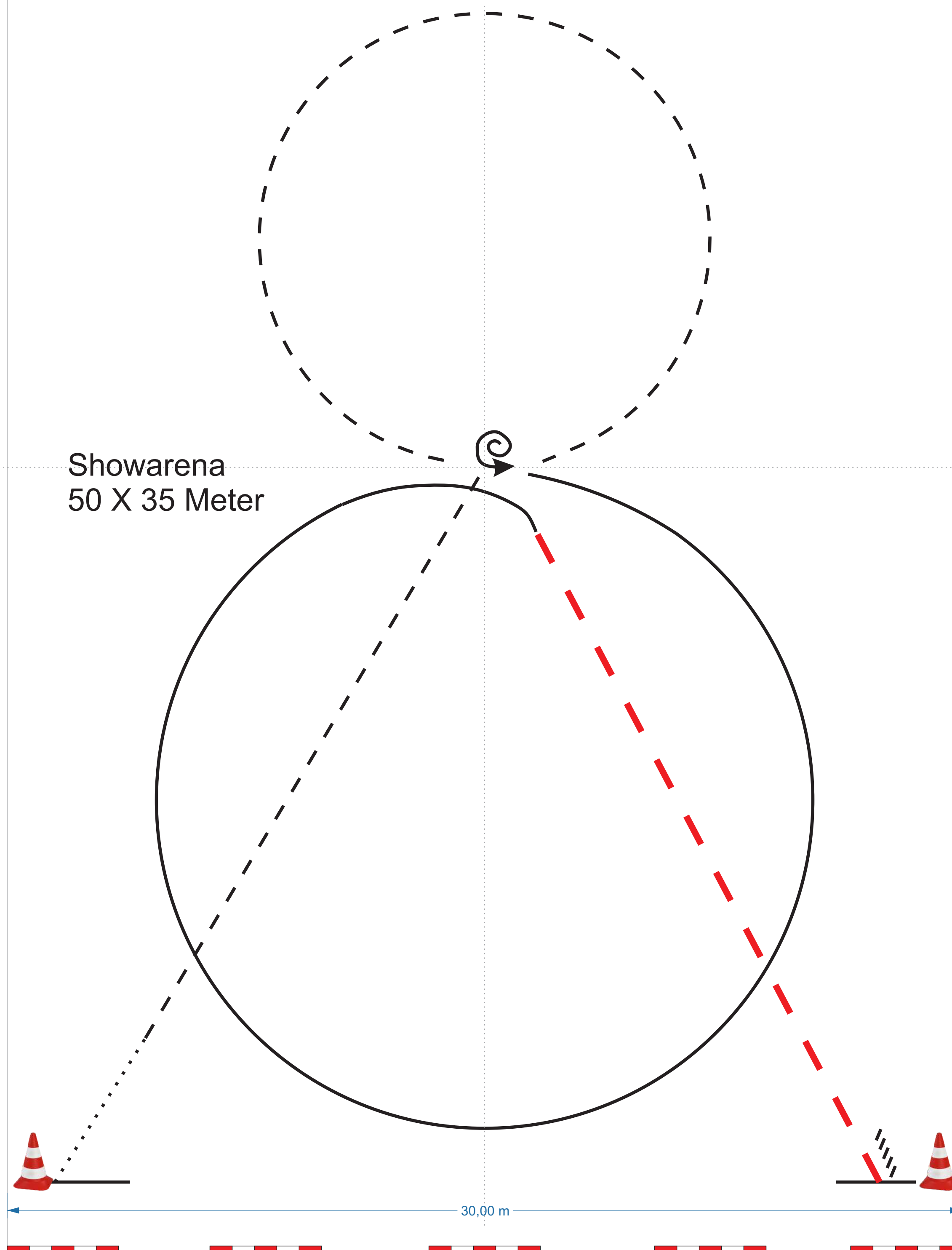
HAFLINGER
EUROPA 2018
CHAMPIONAT



23.-25. AUGUST 2018
STADL PAURA

Western HORSEMANSHIP JUNGE PFERDE

1. Schritt
2. Trab zur Mitte
3. Stop. Hinterhandwendung Links ca. 300° Grad
4. Links - kleiner Zirkel Trab
5. Rechts - großer Zirkel Galopp
6. Verstärkter Trab zum Marker
7. Stop und Rückwärts
8. Verlassen der Arena im Schritt



Warmup
15 X 35 Meter

35,00 m

PATTERN Haflinger Europa Championat 2018

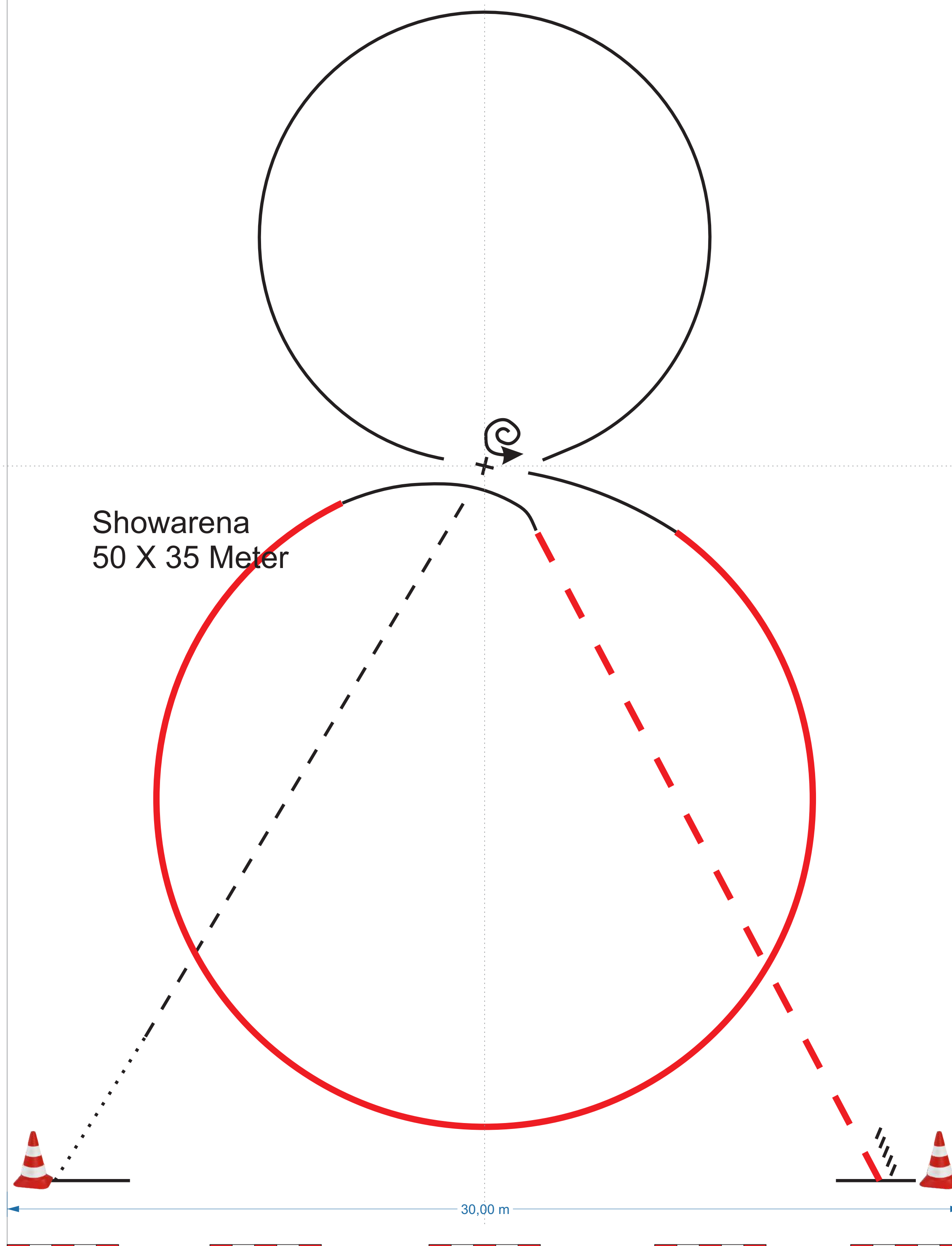
HAFLINGER
EUROPA 2018
CHAMPIONAT



23.-25. AUGUST 2018
STADL PAURA

Western HORSEMANSHIP ERWACHSENE PFERDE

1. Schritt
2. Trab zur Mitte
3. Stop. Hinterhandwendung Links ca. 300° Grad
4. Links - kleiner Zirkel Galopp
5. Einfacher oder fliegender Wechsel
6. Rechts - großer Zirkel Galopp / verstärkter Galopp / Galopp
7. Verstärkter Trab zum Marker
8. Stop und Rückwärts
9. Verlassen der Arena im Schritt



X Lead Change

----- Walk

----- Trot

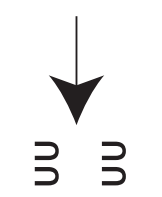
----- Ext Trot

----- Lope

----- Ext Lope

////// Back

⊃ ⊃ Sidepass



Showarena
50 X 35 Meter

Warmup
15 X 35 Meter

30,00 m

35,00 m

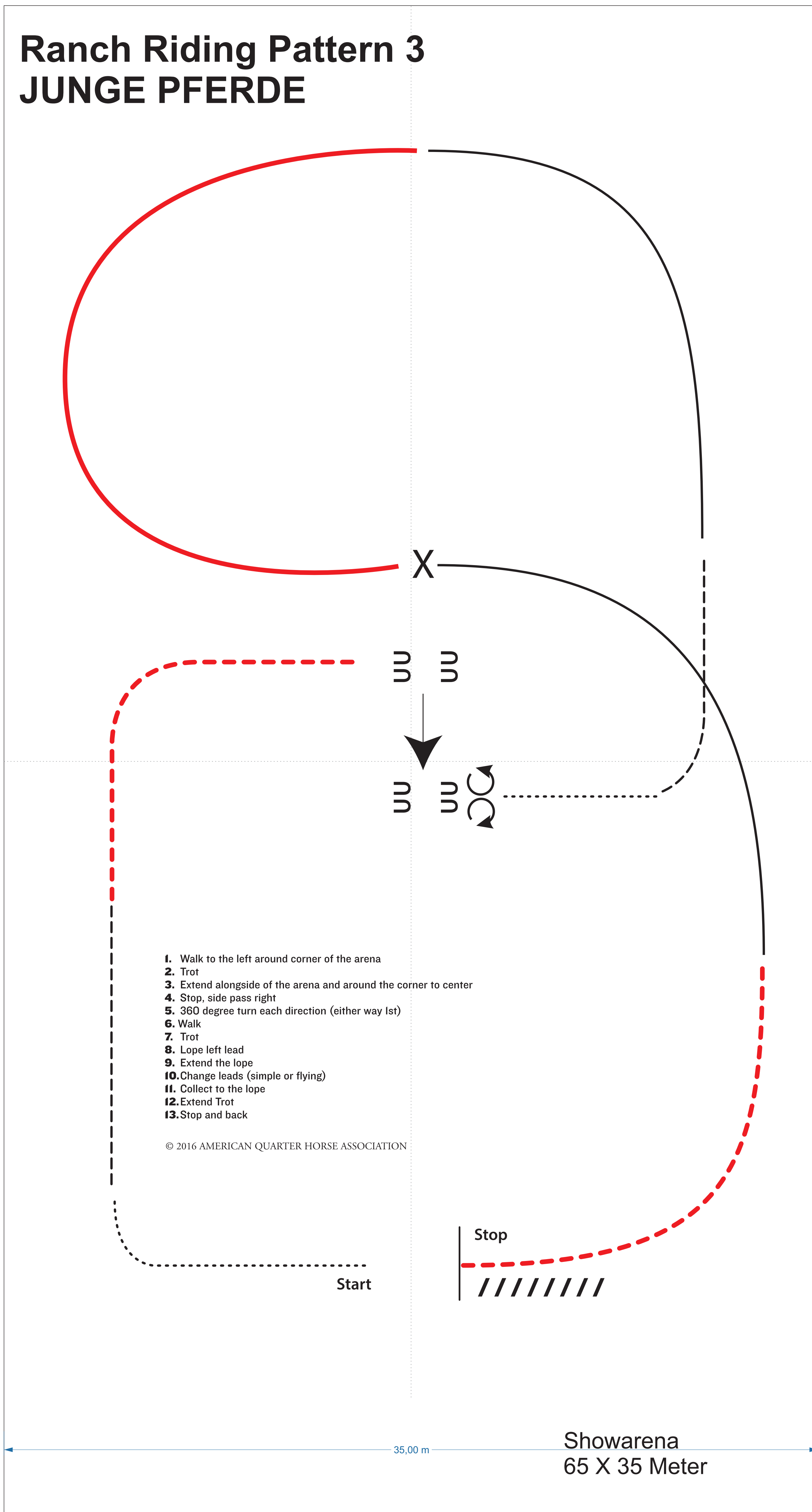
PATTERN Haflinger Europa Championat 2018

HAFLINGER
EUROPA 2018
CHAMPIONAT



23.-25. AUGUST 2018
STADL PAURA

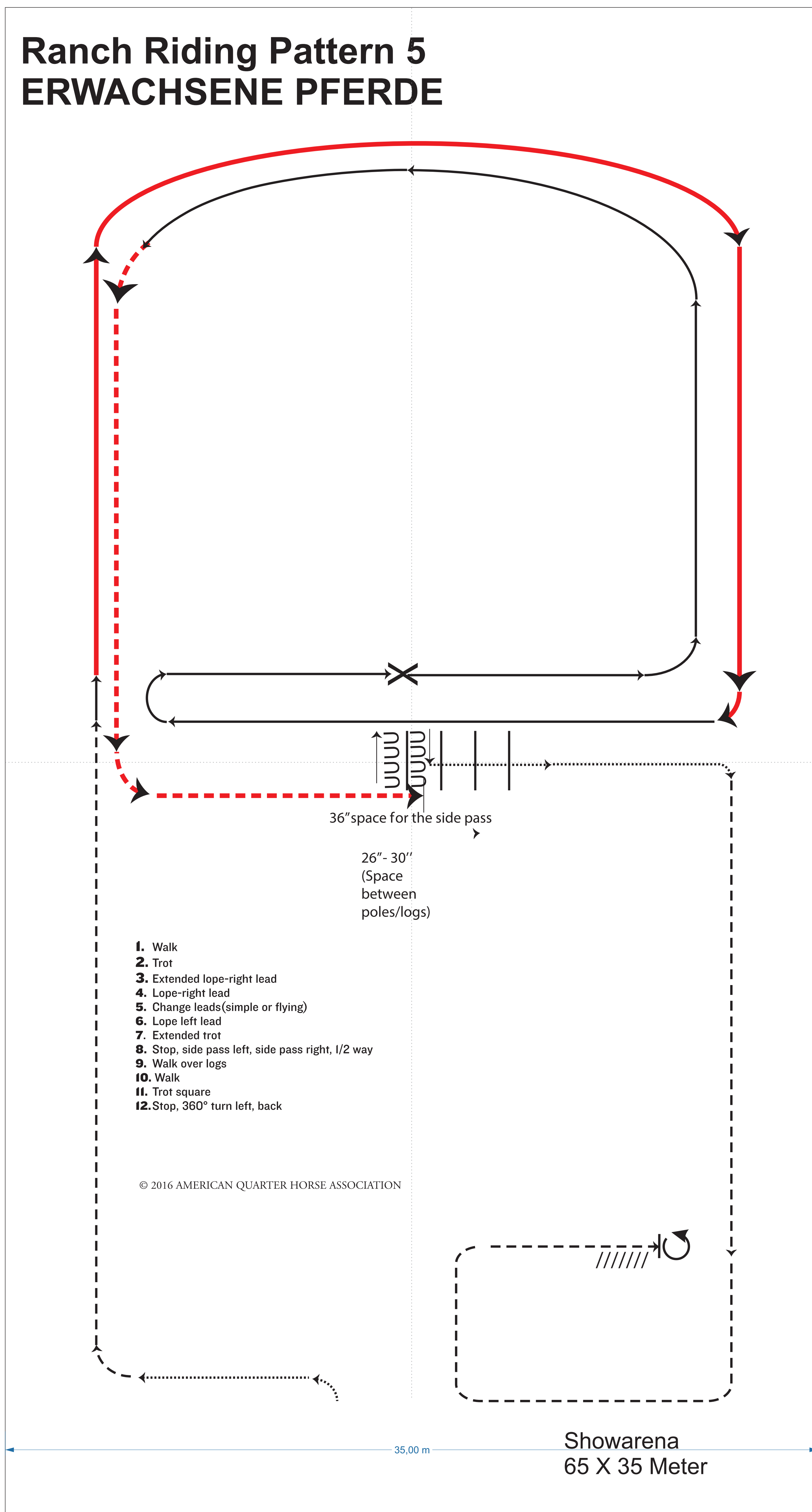
Ranch Riding Pattern 3 JUNGE PFERDE



PATTERN Haflinger Europa Championat 2018



Ranch Riding Pattern 5 ERWACHSENE PFERDE



1. Walk
2. Trot
3. Extended lope-right lead
4. Lope-right lead
5. Change leads (simple or flying)
6. Lope left lead
7. Extended trot
8. Stop, side pass left, side pass right, 1/2 way
9. Walk over logs
10. Walk
11. Trot square
12. Stop, 360° turn left, back

© 2016 AMERICAN QUARTER HORSE ASSOCIATION

35,00 m

Showarena
65 X 35 Meter

- X Lead Change
- Walk
 - - - - - Trot
 - . - . - Ext Trot
 - Lope
 - Ext Lope
 - /////// Back
 - ⊃ ⊃ Sidepass
 - ↓
 - ⊃ ⊃

- X Lead Change
- Walk
 - . - . - Trot
 - - ● - ● Ext Trot
 - Lope
 - Ext Lope
 - /////// Back
 - ⊃ ⊃ Sidepass
 - ↓
 - ⊃ ⊃

PATTERN Haflinger Europa Championat 2018

HAFLINGER
EUROPA 2018
CHAMPIONAT



23.-25. AUGUST 2018
STADL PAURA

Reining Pattern 5 JUNGE PFERDE

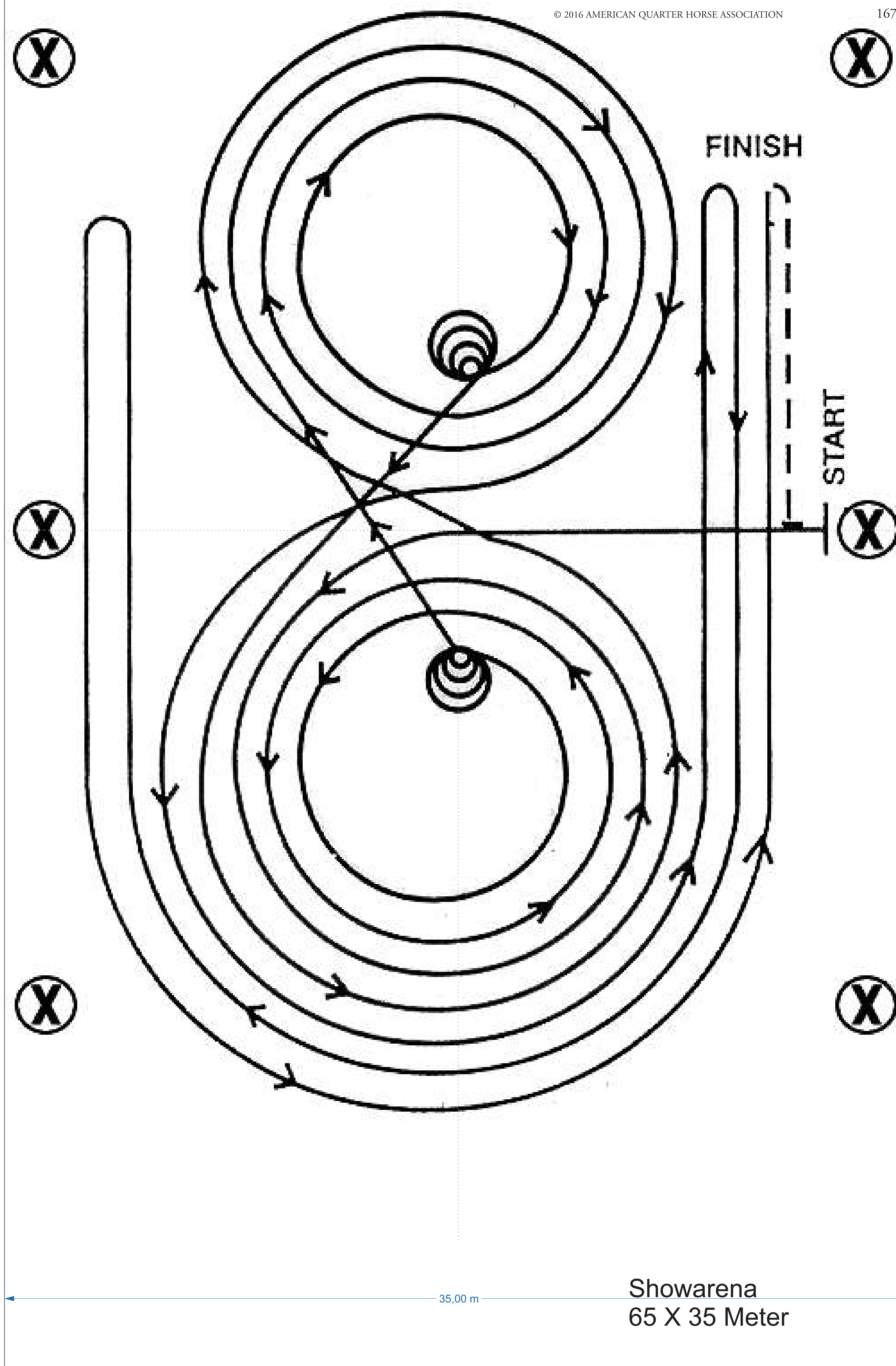
Horse must walk or stop prior to starting pattern.

Beginning at the center of the arena facing the left wall or fence.

1. Beginning on the left lead, complete three circles to the left: the first two circles large and fast; the third circle small and slow. Stop at the center of the arena.
2. Complete four spins to the left. Hesitate.
3. Beginning on the right lead, complete three circles to the right: the first two circles large and fast; the third circle small and slow. Stop at the center of the arena.
4. Complete four spins to the right. Hesitate.
5. Beginning on the left lead, run a large fast circle to the left, change leads at the center of the arena, run a large fast circle to the right, and change leads at the center of the arena. (Figure 8)
6. Continue around previous circle to the left but do not close this circle. Run up the right side of the arena past the center marker and do a right rollback at least 20 feet (6 meters) from the wall or fence - no hesitation.
7. Continue around previous circle but do not close this circle. Run up the left side of the arena past the center marker and do a left rollback at least 20 feet (6 meters) from the wall or fence - no hesitation.
8. Continue back around previous circle but do not close this circle. Run up the right side of the arena past the center marker and do a sliding stop at least 20 feet (6 meters) from the wall or fence. Back up at least 10 feet (3 meters). Hesitate to demonstrate completion of the pattern. Rider may drop bridle to the designated judge.

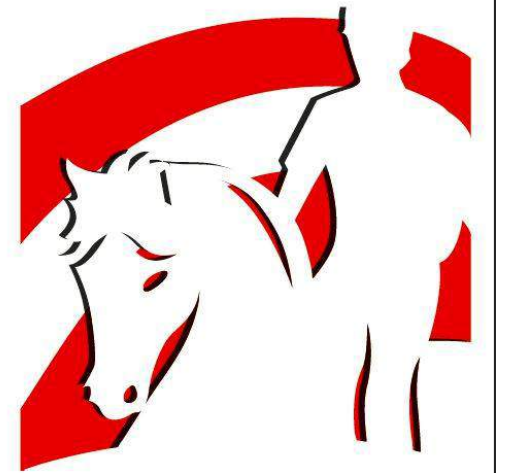
© 2016 AMERICAN QUARTER HORSE ASSOCIATION

167



PATTERN Haflinger Europa Championat 2018

HAFLINGER
EUROPA 2018
CHAMPIONAT



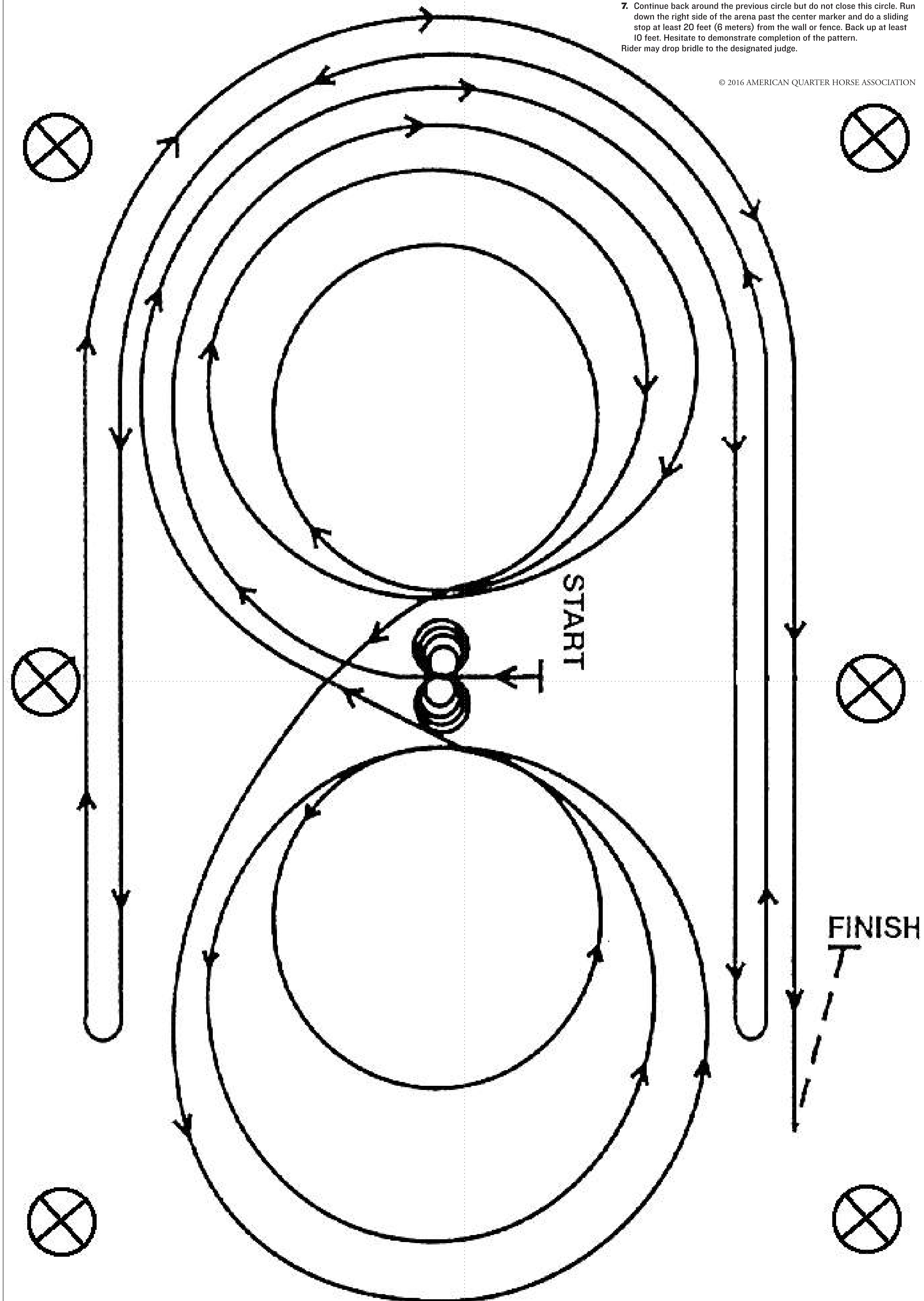
23.-25. AUGUST 2018
STADL PAURA

Reining Pattern 8 JUNGE PFERDE

Horse must walk or stop prior to starting pattern.
Beginning at the center of the arena facing the left wall or fence.

1. Complete four spins to the left.
2. Complete four spins to the right. Hesitate.
3. Beginning on the right lead, complete three circles to the right: the first circle large and fast; the second circle small and slow; the third circle large and fast. Change leads at the center of the arena.
4. Complete three circles to the left: the first circle large and fast; the second circle small and slow; the third circle large and fast. Change leads at the center of the arena.
5. Begin a large circle to the right but do not close this circle. Run straight down the right side of the arena past the center marker and do a left roll-back at least 20 feet (6 meters) from the wall or fence - no hesitation.
6. Continue back around the previous circle but do not close this circle. Run down the left side of the arena past the center marker and do a right roll-back at least 20 feet (6 meters) from the wall or fence - no hesitation.
7. Continue back around the previous circle but do not close this circle. Run down the right side of the arena past the center marker and do a sliding stop at least 20 feet (6 meters) from the wall or fence. Back up at least 10 feet. Hesitate to demonstrate completion of the pattern.
Rider may drop bridle to the designated judge.

© 2016 AMERICAN QUARTER HORSE ASSOCIATION



35,00 m

Showarena
65 X 35 Meter

PATTERN Haflinger Europa Championat 2018

HAFLINGER
EUROPA 2018
CHAMPIONAT



23.-25. AUGUST 2018
STADL PAURA

Reining Pattern 6 ERWACHSENE PFERDE

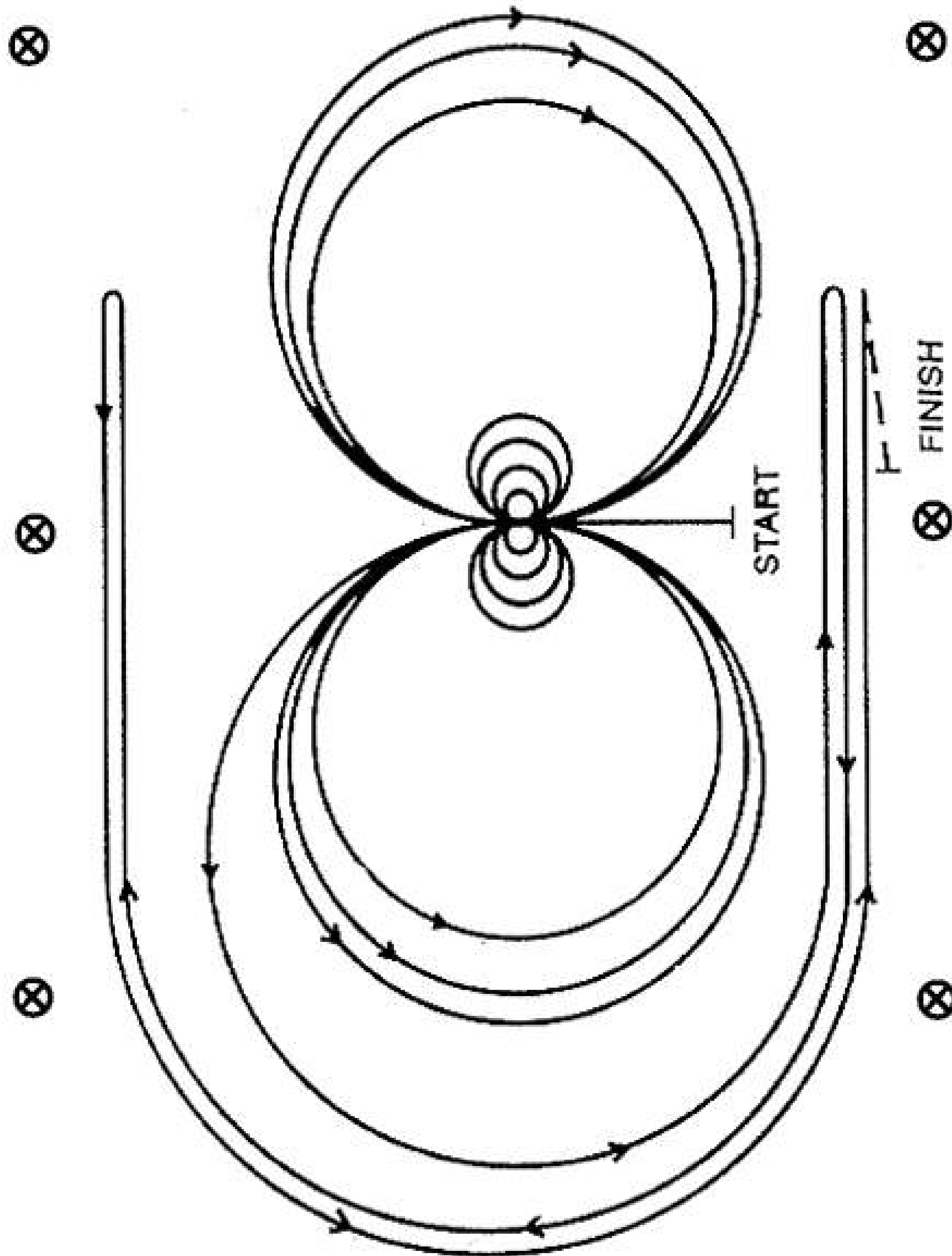
Horse must walk or stop prior to starting pattern.

Beginning at the center of the arena facing the left wall or fence.

1. Complete four spins to the right.
2. Complete four spins to the left. Hesitate.
3. Beginning on the left lead, complete three circles to the left: the first two circles large and fast; the third circle small and slow. Change leads at the center of the arena.
4. Complete three circles to the right: the first two circles large and fast; the third circle small and slow. Change leads at the center of the arena.
5. Begin a large circle to the left but do not close this circle. Run up the right side of the arena past the center marker and do a right rollback at least 20 feet (6 meters) from the wall or fence - **hesitation**.
6. Continue back around previous circle but do not close this circle. Run up the left side of the arena past the center marker and do a left rollback at least 20 feet (6 meters) from the wall or fence - **hesitation**.
7. Continue back around previous circle but do not close this circle. Run up the right side of the arena past the center marker and do a sliding stop at least 20 feet (6 meters) from the wall or fence. Back up at least 10 feet (3 meters).

Hesitate to demonstrate completion of the pattern.
Rider may dismount and the drop bridle to the designated judge.

© 2018 AMERICAN QUARTER HORSE ASSOCIATION



35,00 m

Showarena
65 X 35 Meter

PATTERN Haflinger Europa Championat 2018

HAFLINGER
EUROPA 2018
CHAMPIONAT

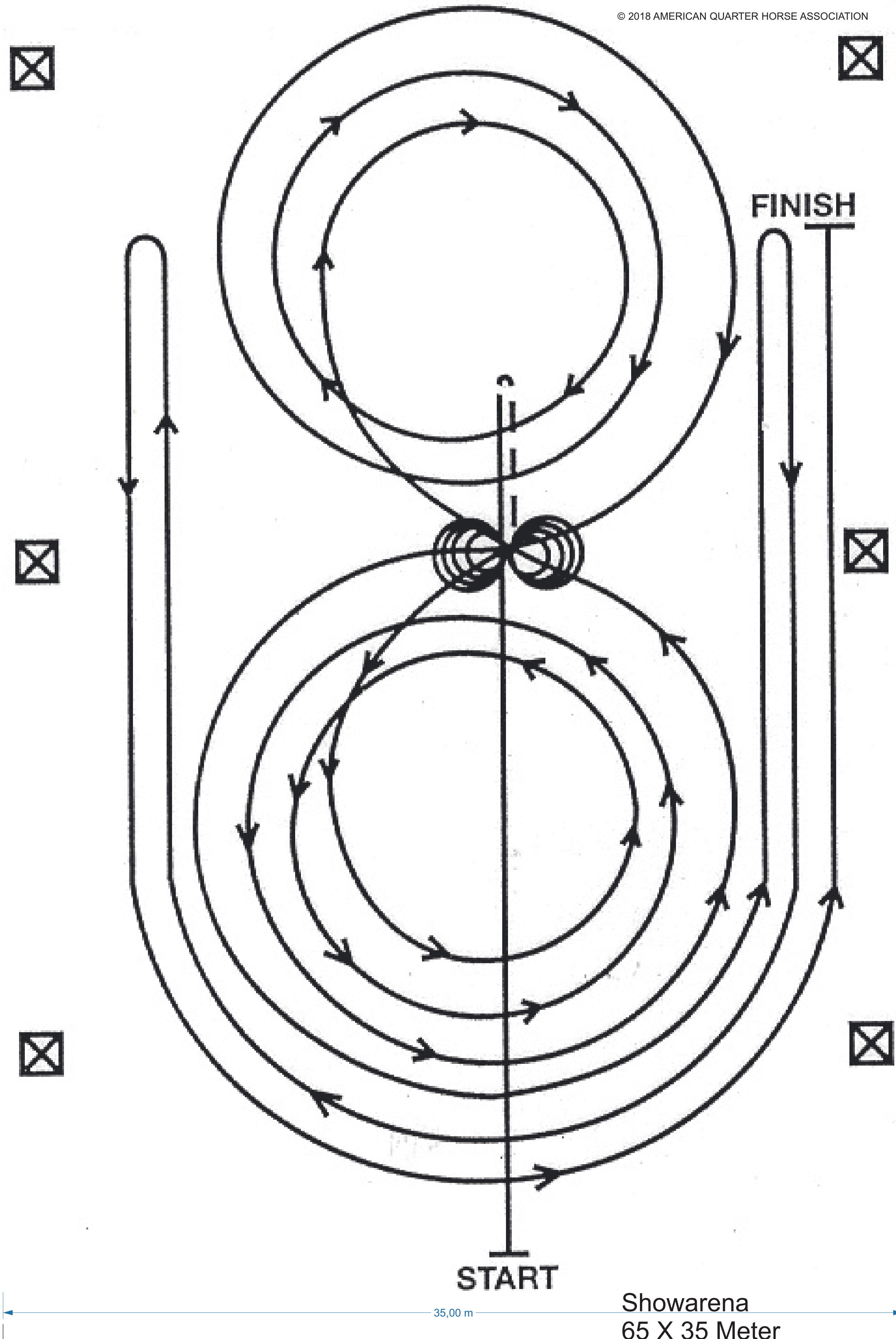


23.-25. AUGUST 2018
STADL PAURA

Reining Pattern 9 ERWACHSENE PFERDE

1. Run past the center marker and do a sliding stop. Back up to the center of the arena or at least 10 feet (3 meters). Hesitate.
2. Complete four spins to the right.
3. Complete four and one-quarter spins to the left so that horse is facing the left wall or fence. Hesitate.
4. Beginning on the left lead, complete three circles to the left: the first circle small and slow; the next two circles large and fast. Change leads at the center of the arena.
5. Complete three circles to the right: the first circle small and slow; the next two circles large and fast. Change leads at the center of the arena.
6. Begin a large circle to the left but do not close this circle. Run up the right side of the arena past the center marker and do a right rollback at least 20 feet (6 meters) from the wall or fence - no hesitation.
7. Continue back around the previous circle but do not close this circle. Run up the left side of the arena past the center marker and do a left rollback at least 20 feet (6 meters) from the wall or fence - no hesitation.
8. Continue back around previous circle but do not close this circle. Run up right side of the arena past the center marker and do a sliding stop at least 20 feet (6 meters) from the wall or fence. Hesitate to demonstrate completion of the pattern. Rider may dismount and the drop bridle to the designated judge.

© 2018 AMERICAN QUARTER HORSE ASSOCIATION



PATTERN Haflinger Europa Championat 2018

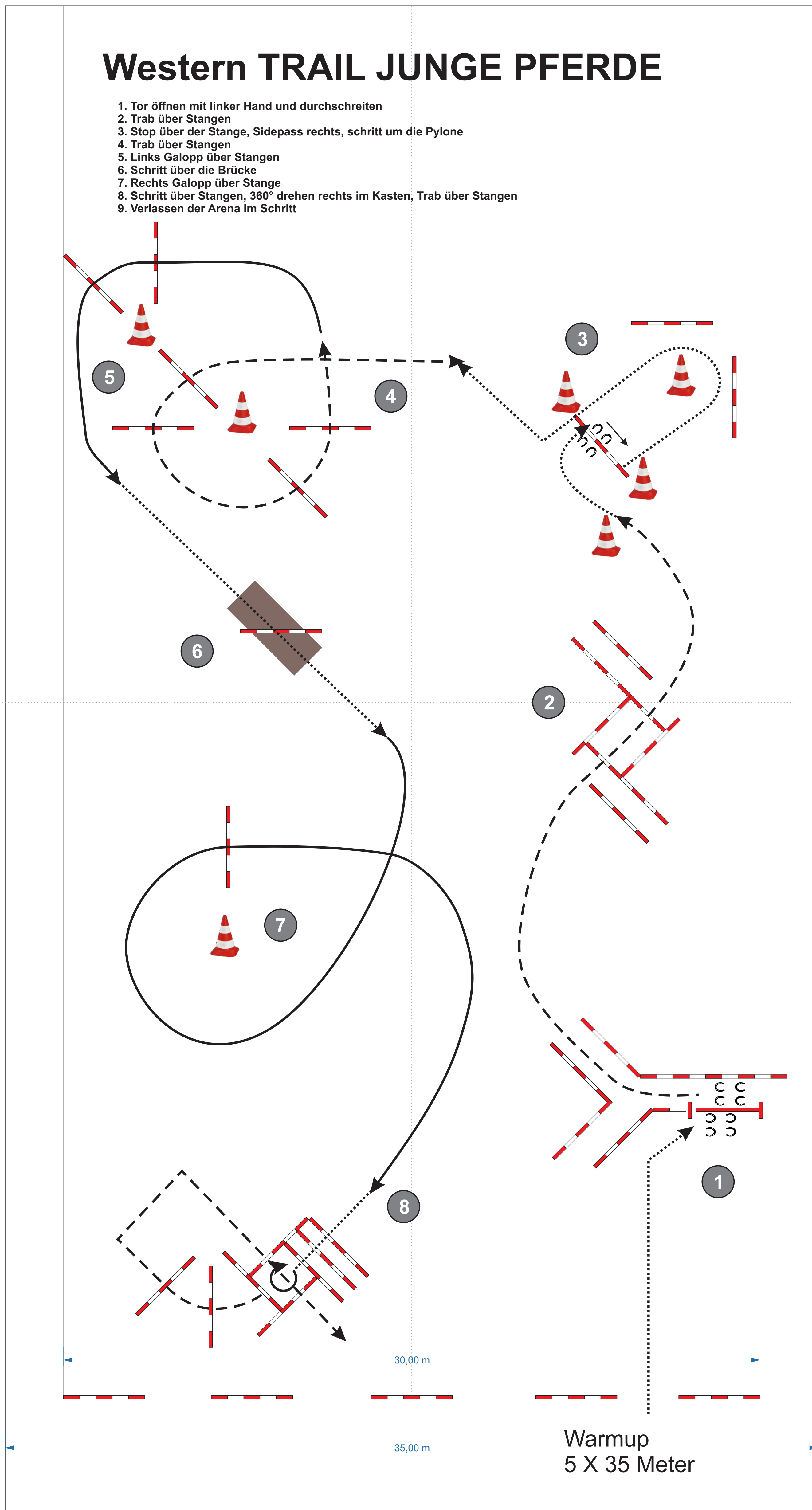
HAFLINGER
EUROPA 2018
CHAMPIONAT



23.-25. AUGUST 2018
STADL PAURA

Western TRAIL JUNGE PFERDE

1. Tor öffnen mit linker Hand und durchschreiten
2. Trab über Stangen
3. Stop über der Stange, Sidepass rechts, schritt um die Pylone
4. Trab über Stangen
5. Links Galopp über Stangen
6. Schritt über die Brücke
7. Rechts Galopp über Stange
8. Schritt über Stangen, 360° drehen rechts im Kasten, Trab über Stangen
9. Verlassen der Arena im Schritt



- X Lead Change
- Walk
- - - - - Trot
- . - . - Ext Trot
- Lope
- Ext Lope
- /////// Back
- ⊃ ⊃ Sidepass
- ↓
- ⊃ ⊃

PATTERN Haflinger Europa Championat 2018

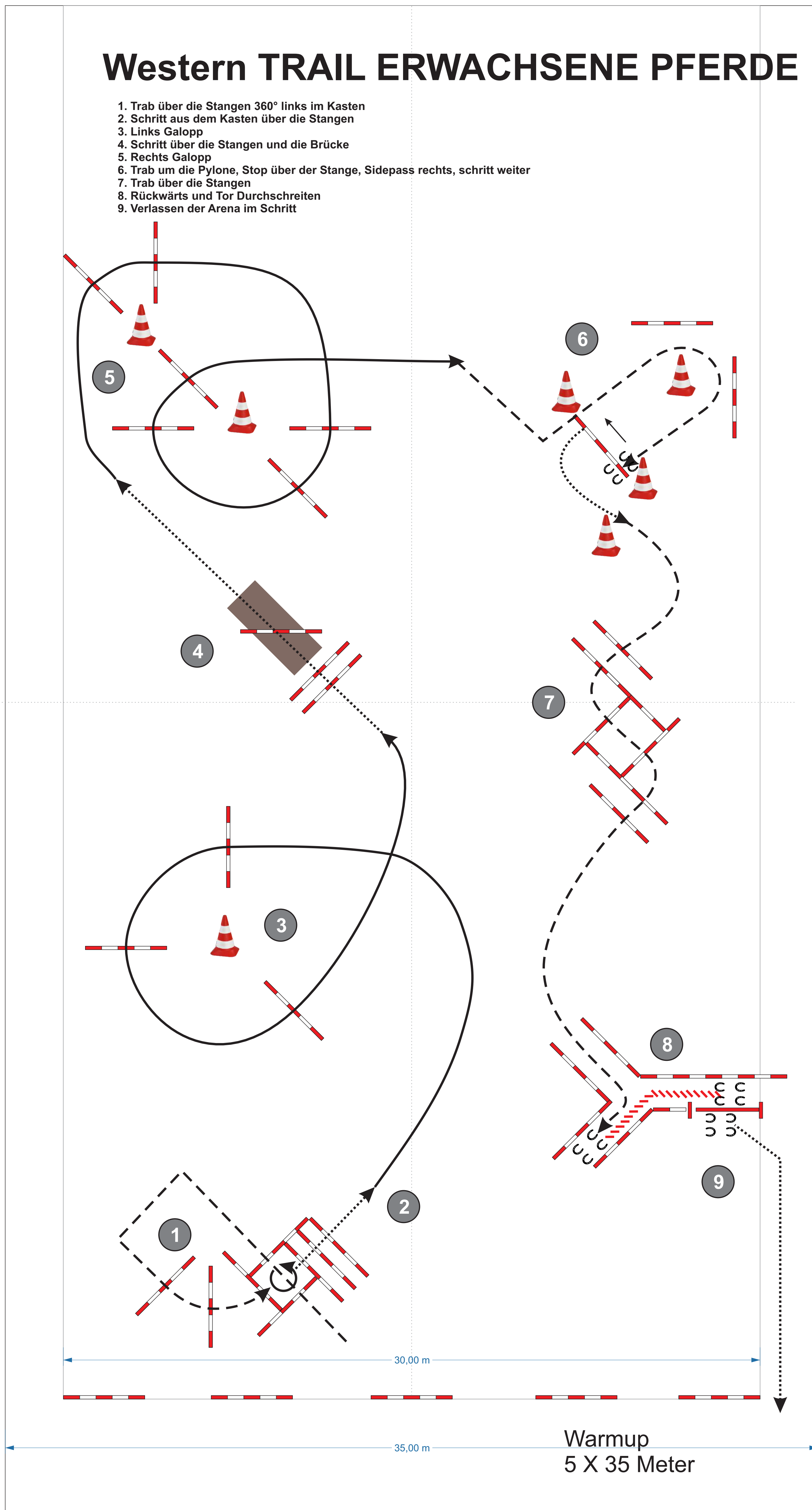
HAFLINGER
EUROPA 2018
CHAMPIONAT



23.-25. AUGUST 2018
STADL PAURA

Western TRAIL ERWACHSENE PFERDE

1. Trab über die Stangen 360° links im Kasten
2. Schritt aus dem Kasten über die Stangen
3. Links Galopp
4. Schritt über die Stangen und die Brücke
5. Rechts Galopp
6. Trab um die Pylone, Stop über der Stange, Sidepass rechts, schritt weiter
7. Trab über die Stangen
8. Rückwärts und Tor Durchschreiten
9. Verlassen der Arena im Schritt



- X Lead Change
- Walk
- - - - - Trot
- . - . - Ext Trot
- Lope
- Ext Lope
- /////// Back
- ⊃ ⊃ Sidepass
- ↓
- ⊃ ⊃

Warmup
5 X 35 Meter